

SERVICE:
SUSPENDED STANDARD PIPE.

MATERIALS:

304SS 316SS CARBON

OTHER: _____

ORDERING:

SPECIFY BY PIPE SIZE.

NOTE:

OTHER SIZES AVAILABLE BY SPECIAL ORDER.

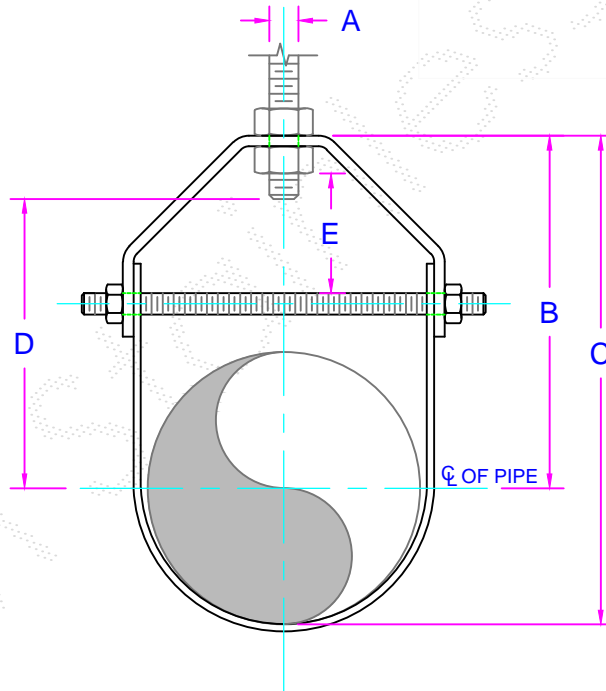
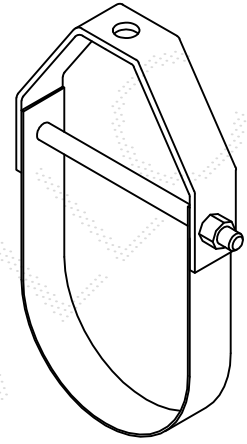


FIG 60 -- 1/2" thru 6" -- DIMENSIONS (in)

PIPE SIZE	MAX. RECOM LOAD, LB.	SIZE OF STEEL		A	B	C	ROD TAKE OUT (D)	ADJ. (E)
		UPPER	LOWER					
1/2	610	1/8x1	1/8x1	3/8	1-15/16	2-3/8	1-1/8	3/8
3/4	610	1/8x1	1/8x1	3/8	1-15/16	2-9/16	1-1/8	1/2
1	610	1/8x1	1/8x1	3/8	2-1/4	2-13/16	1-1/2	5/8
1-1/4	610	1/8x1	1/8x1	3/8	2-5/16	3-3/16	2-1/32	5/8
1-1/2	610	1/8x1	1/8x1	3/8	2-11/16	3-11/16	2	7/8
2	610	1/8x1	1/8x1	3/8	3-3/16	4-7/16	2-3/8	1-1/8
2-1/2	1130	1/8x1-1/4	1/8x1-1/4	1/2	3-7/8	5-3/8	3-3/16	1-7/16
3	1130	1/8x1-1/4	1/8x1-1/4	1/2	4-11/16	6-1/2	3-3/4	1-13/16
3-1/2	1130	1/8x1-1/4	1/8x1-1/4	1/2	4-15/16	7	4	1-13/16
4	1430	3/16x1-1/4	1/8x1-1/4	5/8	5-3/16	7-9/16	4-1/8	1-11/16
5	1430	3/16x1-1/4	1/8x1-1/4	5/8	6-1/16	8-15/16	5	1 7/8
6	1940	3/16x1-1/2	3/16x1-1/2	3/4	6-13/16	10-3/16	5-3/4	2

TITLE:
CLEVIS HANGER FOR STANDARD PIPE

FMStainless

Address: 1524 Ray Mountain Rd. Ellijay, GA 30536 • Website: www.fmstainless.com
Office: 706-636-1881 Fax: 706-636-1882 • Email: specs@fmstainless.com

DRAWN BY:
BSR

APPROVED BY:
EAH

DATE:
1/18/2013

SCALE:
N.T.S.

TOLERANCES
(EXCEPT AS NOTED)

FRACTIONAL: $\pm 1/16"$ FRACTIONAL: + 0.0°
- 0.5°

ALL IDEAS, DESIGNS, ARRANGEMENTS AND PLANS INDICATED OR REPRESENTED BY THIS DRAWING ARE OWNED BY FM STAINLESS, LLC AND WERE CREATED AND DEVELOPED FOR USE ON AND IN CONNECTION WITH THE SPECIFIED PROJECT. NONE SUCH IDEAS, DESIGNS, ARRANGEMENTS OR PLANS SHALL BE USED BY OR DISCLOSED TO ANY PERSON, FIRM, OR CORPORATION FOR ANY PURPOSE WHATSOEVER WITHOUT THE WRITTEN PERMISSION OF FM STAINLESS, LLC.

PART NUMBER: **FIG 60 -- 1/2 thru 6**
PG. 1 OF 2

SERVICE:
SUSPENDED STANDARD PIPE.

MATERIALS:

304SS 316SS CARBON

OTHER: _____

ORDERING:

SPECIFY BY PIPE SIZE.

NOTE:

OTHER SIZES AVAILABLE BY SPECIAL ORDER.

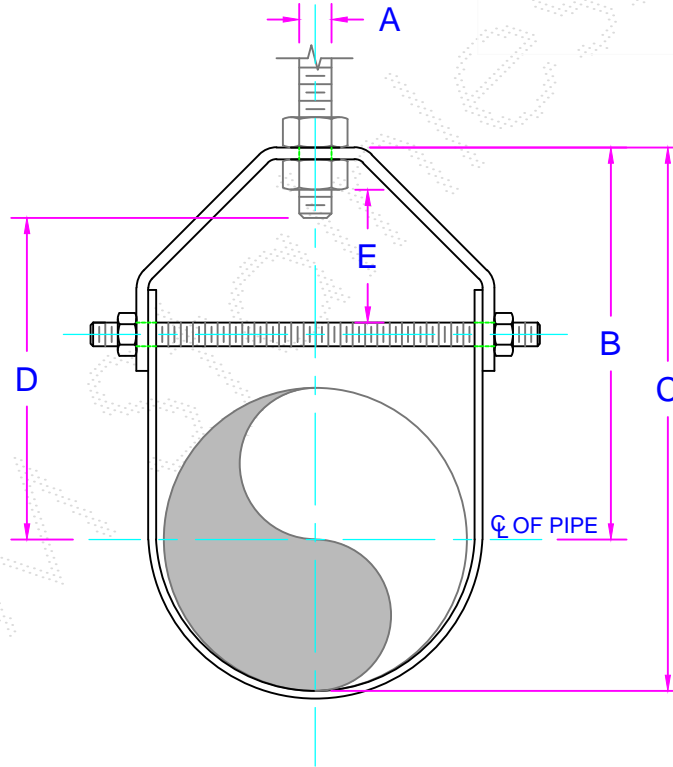
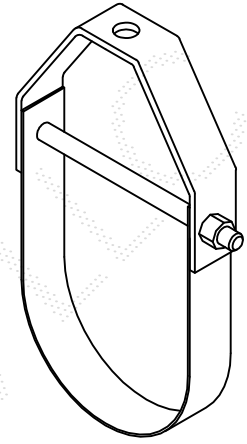


FIGURE 60 -- 8" thru 30" -- DIMENSIONS (in)

PIPE SIZE	MAX. RECOM LOAD, LB.	SIZE OF STEEL		A	B	C	ROD TAKE OUT (D)	ADJ (E)
		UPPER	LOWER					
8	2000	1/4x1-1/2	3/16x1-1/2	3/4	8-1/8	12-1/2	6-7/8	2-1/16
10	3600	1/4x1-3/4	3/16x1-3/4	7/8	9-1/2	15	8	1-7/8
12	3800	3/8x2	1/4x2	7/8	11-1/8	17-5/8	9-1/2	2-3/16
14	4200	3/8x2	1/4x2	1	12-3/8	19-1/2	10-5/8	2-11/16
16	4600	1/2x2 -1/2	1/4x2-1/2	1	13-13/16	21-15/16	12	2-3/4
18	4800	1/2x2 -1/2	1/4x2-1/2	1	15-3/4	27-7/8	13-7/8	3-7/8
20	4800	1/2x3	1/4x3	1-1/4	17-3/8	27-1/2	15-1/4	3-7/8
24	4800	5/8x3	1/4 x3	1-1/4	19-3/8	31-3/4	17-1/2	3-7/8
30	6000	3/4x3	3/8 x3	1-1/4	24	39-1/8	21-3/4	4-7/8

TITLE:
CLEVIS HANGER FOR
STANDARD PIPE

FMStainless

Address: 1524 Ray Mountain Rd. Ellijay, GA 30536 • Website: www.fmstainless.com
Office: 706-636-1881 Fax: 706-636-1882 • Email: specs@fmstainless.com

DRAWN BY:
BSR

APPROVED BY:
EAH

DATE:
1/18/2013

SCALE:
N.T.S.

TOLERANCES
(EXCEPT AS NOTED)

FRACTIONAL: ± 1/16" FRACTIONAL: + 0.0°
- 0.5°

ALL IDEAS, DESIGNS, ARRANGEMENTS AND PLANS INDICATED OR REPRESENTED BY THIS DRAWING ARE OWNED BY FM STAINLESS, LLC AND WERE CREATED AND DEVELOPED FOR USE ON AND IN CONNECTION WITH THE SPECIFIED PROJECT. NONE SUCH IDEAS, DESIGNS, ARRANGEMENTS OR PLANS SHALL BE USED BY OR DISCLOSED TO ANY PERSON, FIRM, OR CORPORATION FOR ANY PURPOSE WHATSOEVER WITHOUT THE WRITTEN PERMISSION OF FM STAINLESS, LLC.

PART NUMBER:
FIG 60 -- 8 thru 30
PG. 2 OF 2